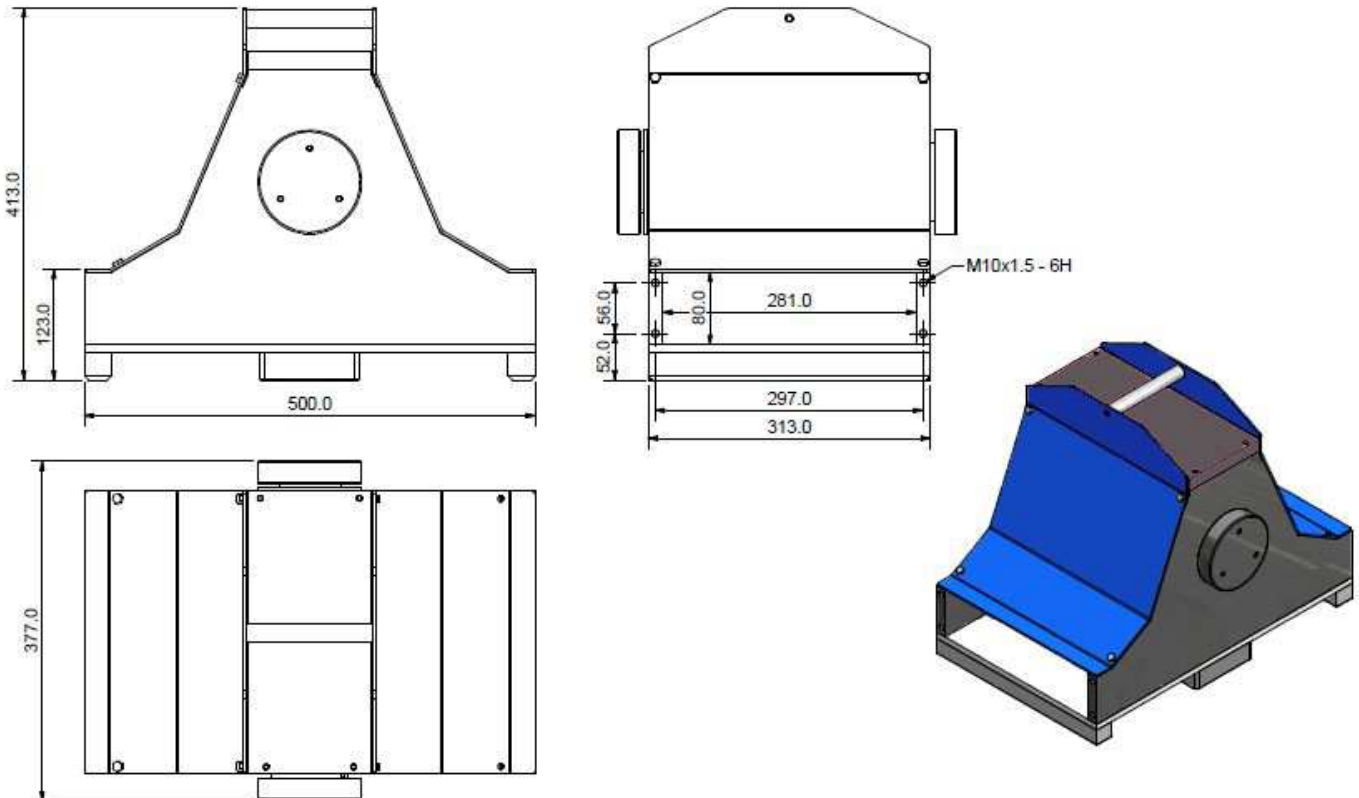


AquaScan Registration Unit CSW2800



Material	<i>Powder painted aluminium and POM</i>
Weight	<i>15 Kg</i>
Dimensions	<i>413 x 500 x 377mm</i>
Capacity	<i>50 000/unit/hour (10g)</i>
Power Consumption	<i>15W</i>
Power supply	<i>Powered by the Control Unit</i>
Fish size	<i>0.2g to 200g</i>
Accuracy	<i>98-100%</i>
Arrangement	<i>Approx. 30 ° tilt forward. Transport water</i>
Flow speed	<i>2 - 3 m/s</i>
Standard cable length included	<i>10 meters</i>
Requirements	<i>AquaScan Control Unit</i>