

X Series

Heat Pump Specifications

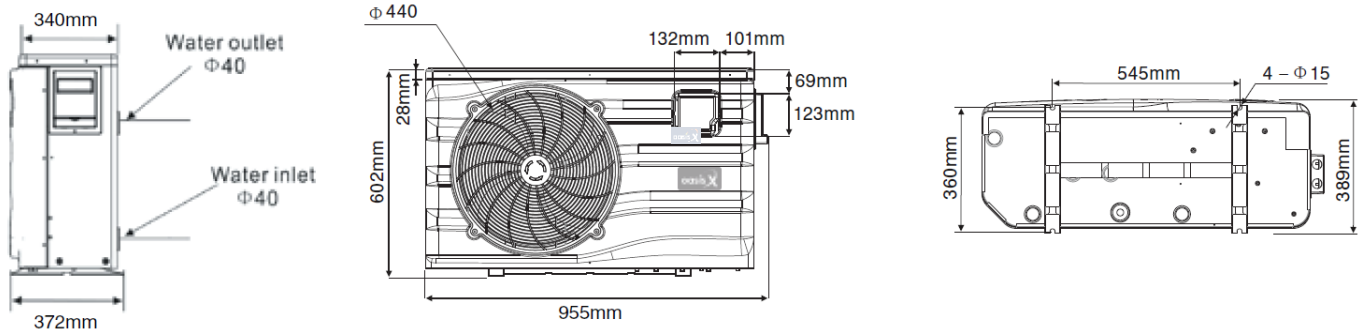
X Series Specifications							
Model		Oasis X 9	Oasis X 13	Oasis X 19	Oasis X 24	Oasis X 28	Oasis X 28 T
Performance Condition: Air 27°C / Water 26°C							
Heating Capacity	kW	8.47	13	19.3	26.1	28.8	28.8
Running Current	A	6.5	8.7	13.0	17.5	21.3	8.7
Performance Condition: Air 19°C / Water 26°C							
Heating Capacity	kW	7.7	10	16	21	25	25
Heating Power Input	kW	1.47	1.9	2.9	3.8	4.3	4.3
Cooling Capacity	kW	4.3	5.4	7.4	13	15.5	15.5
Cooling Power Input	kW	2.0	2.2	3.1	4.8	5.8	5.8
Running Current	A	6.5	8.7	13.0	17.5	21.3	8.7
Power Supply	V/Ph/Hz	10 AMP Plug	10 AMP Plug	240/1/50	240/1/50	240/1/50	400V/3/50
Compressor Quantity		1	1	1	1	1	1
Compressor		Rotary	Rotary	Rotary	Scroll	Scroll	Scroll
Fan Quantity		1	1	1	1	2	2
Fan Power Input	W	90	120	150	150	120x2	120x2
Fan Rotate Speed	RPM	850	850	850	850	850	850
Fan Direction		Horizontal	Horizontal	Horizontal	Horizontal	Horizontal	Horizontal
Noise	dB(A)	42	54	56	56	56	56
Water Connection	Mm	40	40	40	40	40	40
Water Flow Volume	l/m	50	75	100	116	150	150
Water Pressure Drop (max)	kPa	3.2	3.5	4.2	12	15	15
Unit Shipping Dimensions (L/W/H)	Mm	1040 x 415 x 615	1040 x 415 x 615	1115 x 455 x 868	1115 x 455 x 868	1130 x 485 x 1270	1130 x 485 x 1270
Net / Shipping Weight	kg	51/60	55/65	83/98	108 / 123	117/135	117/135

Cooling capacity is based on 19 °C ambient air temperature and 26°C water temperature

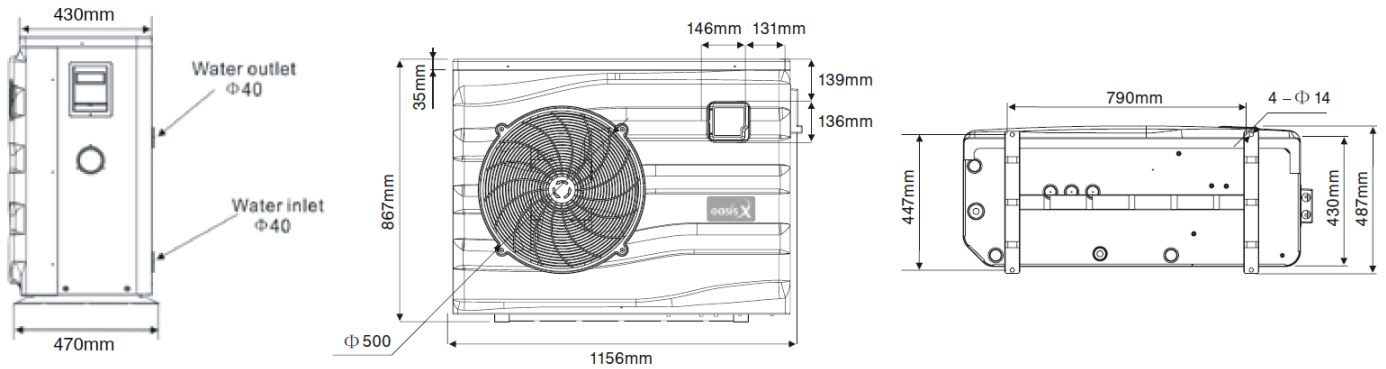
X Series

Heat Pump Dimensions

Oasis X9 / Oasis X13



Oasis X18 / Oasis X24



Oasis X28 / Oasis X28 T

